

Seos Key Fob - 526

Portable Credential for Key Ring Applications.

Designed for HID Signo and single technology iCLASS SE and iCLASS SE Express Readers.

- This product is not compatible with the multiCLASS SE reader family.
- Please ensure that this page is completed and submitted alongside your first order to activate part numbers.
- Allow 1-2 days for part activation.
- See datasheet for compatibility and performance details.

I have read the datasheet and understand that this product is not compatible with the multiCLASS SE reader family.

| | |
|----------------|--|
| Name | |
| Company | |

Ensure each required option has been checked with the appropriate choice to fulfill a completed order form.

Base Model 526

Memory Size

6- 8K Bytes

Secure Identity Object Programming (Select one option)

- P - Programmed with Secure Identity Object (SIO)
 V - Unprogrammed, for use with iCLASS SE Encoder

Front Packaging

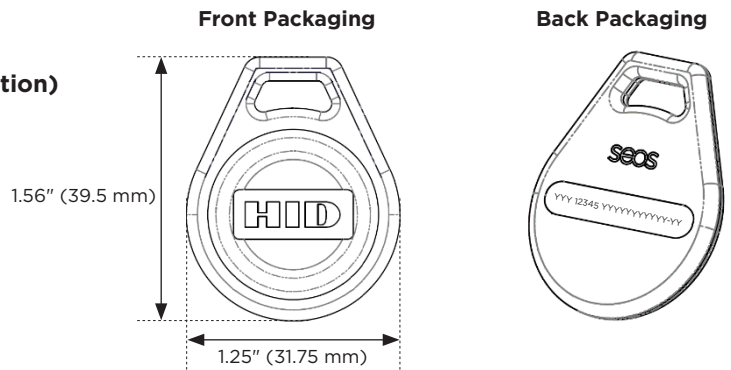
N - Black ABS body, grey TPE insert with HID logo

Back Packaging

N - Seos logo and marking panel

Key Numbering¹

- N - No external ID number
 A - Sequential Matching Encoded/Printed (Engraved)
 B - Sequential Encoded/Sequential Non-Matching Printed (Engraved)
 C - Random Encoded/Non-Matching Sequential Printed (Engraved)



Y = Seos Programming
 12345 = Card ID Number
 YYYYYYYY-YY = Sales Order Number

Enter your final options from the above selections. Example: 5266PNNA

| | | | | | |
|-------------------|------|--|---|---|--|
| Final Part Number | 5266 | | N | N | |
|-------------------|------|--|---|---|--|

Seos Programming Information

| Format Number | Field Name(s) e.g. Facility Code | Value | QTY | Encoded Start Number | Encoded Stop Number |
|----------------------|----------------------------------|-------|-----|----------------------|---------------------|
| | | | | | |
| HID Elite ICE number | | | | Printed Start Number | Printed Stop Number |
| | | | | | |

¹The ID number is marked on the back of the key fob, all options include a printed sales order number

²Available with 7 byte static UID for ISO14443A UID migration and interoperability. This feature reduces privacy and is not recommended. Contact your local sales or pre-sales representative for more information